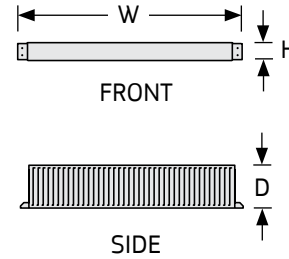
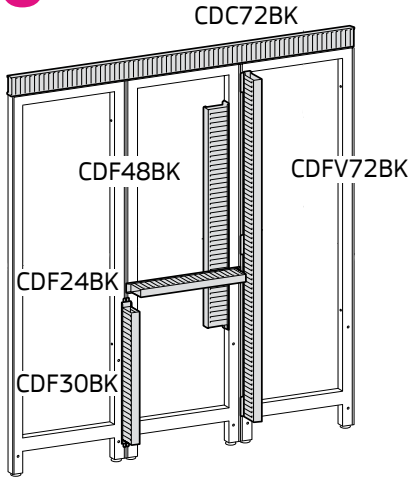


**CABLE MANAGEMENT**

Cable Ducts ..... 9.2  
Cable Ring Ducts..... 9.3  
Cable Trays, Frame Mount ..... 9.4  
Cable Trays, Universal..... 9.5  
Uniclips and D-rings..... 9.6





**CABLE DUCTS**

- Cable Ducts provide vertical and horizontal cable management in workstations.
- Composed of PVC slotted duct with flush mount duct covers that snap on and off for easy access.
- Frame-mounted Cable Ducts are fastened to painted steel plates. Assemblies mount vertically on the centerline of two inline frames or horizontally on frames with hanger clips.
- Frame-mounted Cable Ducts also fasten vertically on the inside of 80" and 96" high UltraFrames to captivators.
- One 48" frame-mounted Cable Duct per side mounts to captivators inside 80" high UltraFrames. One 24" and one 48", two 36" or one 72" Cable Duct per side mounts to captivators inside 96" high UltraFrames.
- Vertical mount Cable Ducts fasten off center of two inline frames with three hanger clips and plates.
- Top-mount Cable Ducts fasten to captivators in top cross members of 80" and 96" high UltraFrames with #10-24 screws.
- Self mount Cable Ducts attach anywhere on frames with pressure sensitive adhesive tape for temporary or permanent mounting.
- Cable Ducts feature 5/8" scored fingers providing additional access for cable leads.
- Finish is Black.

**How to Specify**

**Step 1. Product Number**

- CDF** Frame-Mount Cable Duct
- CDFV** Vertical Mount Cable Duct, 72" only
- CDS** Self Mount Cable Duct, 72" only
- CDC** Top Mount Cable Duct, 72" only

**Step 2. Width**

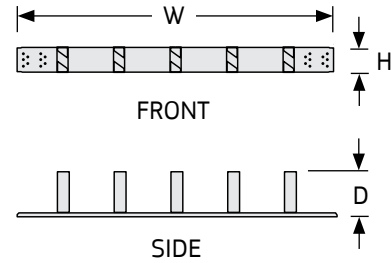
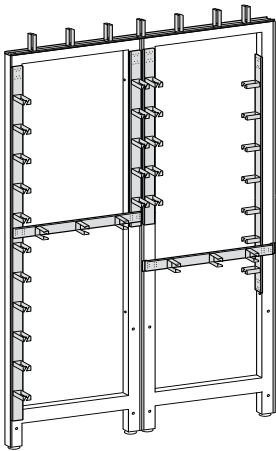
- 24** 24" wide    **30** 30" wide    **36** 36" wide
- 48** 48" wide    **60** 60" wide    **72** 72" wide

**NOTES**

- » Self mount and top mount Cable Ducts can be cut to size in the field.
- » UL recognized, CSA certified. PVC duct carries a UL flammability rating of 94V-0.

| Product Number | Description               | Height |      | Width |      | Depth |      | Weight |      |
|----------------|---------------------------|--------|------|-------|------|-------|------|--------|------|
|                |                           | in.    | [mm] | in.   | [mm] | in.   | [mm] | lb.    | [kg] |
| CDF24BK        | Frame-mount cable duct    | 2      | 51   | 24    | 610  | 4     | 102  | 4      | 2    |
| CDF30BK        | Frame-mount cable duct    | 2      | 51   | 30    | 762  | 4     | 102  | 5      | 2    |
| CDF36BK        | Frame-mount cable duct    | 2      | 51   | 36    | 914  | 4     | 102  | 6      | 3    |
| CDF48BK        | Frame-mount cable duct    | 2      | 51   | 48    | 1219 | 4     | 102  | 8      | 4    |
| CDF60BK        | Frame-mount cable duct    | 2      | 51   | 60    | 1524 | 4     | 102  | 10     | 5    |
| CDF72BK        | Frame-mount cable duct    | 2      | 51   | 72    | 1829 | 4     | 102  | 12     | 5    |
| CDFV72BK       | Vertical mount cable duct | 2      | 51   | 72    | 1829 | 4     | 102  | 5      | 2    |
| CDS72BK        | Self mount cable duct     | 2      | 51   | 72    | 1829 | 4     | 102  | 5      | 2    |
| CDC72BK        | Top mount cable duct      | 2      | 51   | 72    | 1829 | 4     | 102  | 5      | 2    |

Rev 01/29/09



**CABLE RING DUCTS**

- Cable Ring Ducts provide easy access to bulk cable management.
- Openings on each ring allow for easy access and clearance of cables while the angle of the opening restrains the cables once in place.
- Ducts mount horizontally or vertically to frames on hanger clips.
- Ducts mount vertically on the inside or horizontally on the top of 80" and 96" high UltraFrames to captivators.
- One 48" Cable Ring Duct per side mounts to captivators inside 80" high UltraFrames. One 24" and one 48", two 36" or one 72" Cable Ring Duct per side mounts to captivators inside 96" high UltraFrames.
- Top captivators accommodate Cable Ring Ducts the same width as the respective frames or run of frames. For example, a 48" Cable Ring Duct can be mounted across the top of a 48" wide frame or across the top of two adjacent 24" wide frames.
- Finish is Black Texture.

**NOTES**

- » Two vertical Cable Ring Ducts can mount adjacently at the juncture of two frames.
- » Special hole patterns allow the ends of perpendicularly mounted Cable Ring Ducts and 12 Port Data Chases to stack sharing common frame space. 60" and 72" Cable Ring Ducts have a third set of holes near the center of their length allowing for this perpendicular stacking.

**How to Specify**

**Step 1. Product Number**

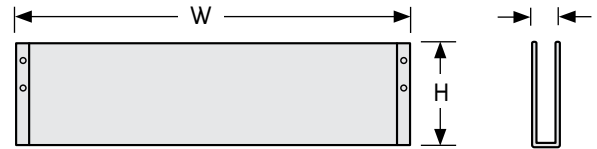
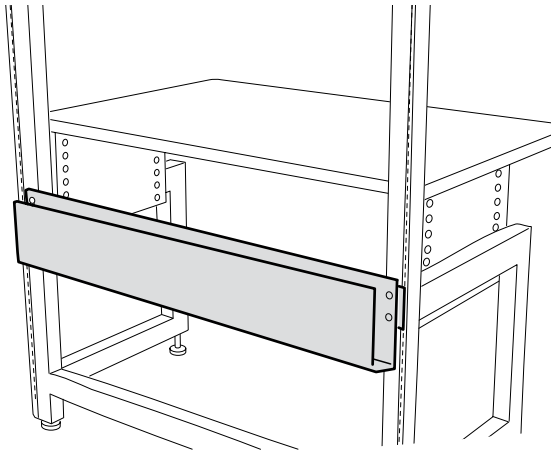
CRD

**Step 2. Width**

|    |          |    |          |    |          |
|----|----------|----|----------|----|----------|
| 24 | 24" wide | 30 | 30" wide | 36 | 36" wide |
| 48 | 48" wide | 60 | 60" wide | 72 | 72" wide |

| Product Number | Description               | Height |      | Width |      | Depth |      | Weight |      |
|----------------|---------------------------|--------|------|-------|------|-------|------|--------|------|
|                |                           | in.    | [mm] | in.   | [mm] | in.   | [mm] | lb.    | [kg] |
| CRD24BT        | Cable ring duct, 3 rings  | 2      | 51   | 24    | 610  | 3     | 76   | 2      | 1    |
| CRD30BT        | Cable ring duct, 4 rings  | 2      | 51   | 30    | 762  | 3     | 76   | 3      | 1    |
| CRD36BT        | Cable ring duct, 5 rings  | 2      | 51   | 36    | 914  | 3     | 76   | 3      | 1    |
| CRD48BT        | Cable ring duct, 7 rings  | 2      | 51   | 48    | 1219 | 3     | 76   | 4      | 2    |
| CRD60BT        | Cable ring duct, 9 rings  | 2      | 51   | 60    | 1524 | 3     | 76   | 5      | 2    |
| CRD72BT        | Cable ring duct, 11 rings | 2      | 51   | 72    | 1829 | 3     | 76   | 6      | 3    |

Rev 01/29/09



### CABLE TRAYS, FRAME MOUNT

- Cable Trays provide horizontal cable management in workstations.
- Trays mount to frames and adjust vertically in 1" increments.
- Steel trays have 45° angled ends to allow for corner configurations and bottom openings for cable access.

### How to Specify

#### Step 1. Product Number

CTF

#### Step 2. Width

24 24" wide    30 30" wide    36 36" wide  
48 48" wide    60 60" wide    72 72" wide

#### Step 3. Paint Color Code

##### STANDARD

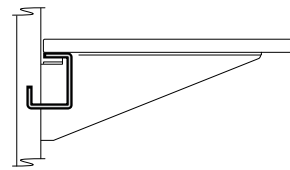
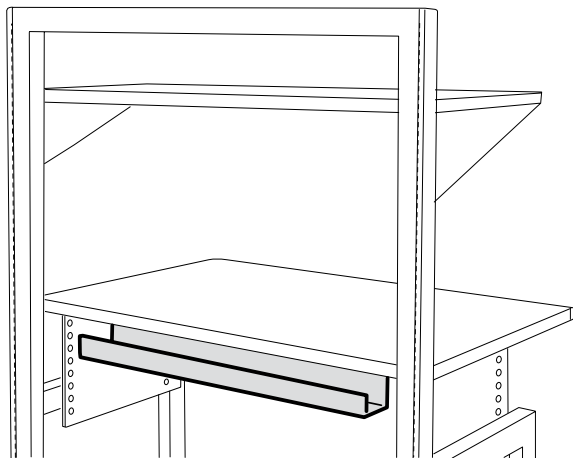
AW Arctic White                      GL Grey Light Smooth  
AS Argent Silver                      GT Grey Light Texture  
BK Black                                NW Neutral White  
BT Black Texture                      ST Sand Texture

##### DISSIPATIVE

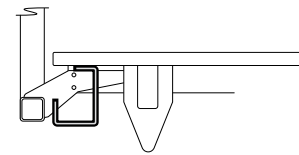
DG Dissipative Grey Light Smooth

| Product Number | Description             | Height |      | Width |      | Depth |      | Weight |      |
|----------------|-------------------------|--------|------|-------|------|-------|------|--------|------|
|                |                         | in.    | [mm] | in.   | [mm] | in.   | [mm] | lb.    | [kg] |
| CTF24          | Cable tray, frame mount | 8      | 203  | 24    | 610  | 2 ¾   | 70   | 5      | 2    |
| CTF30          | Cable tray, frame mount | 8      | 203  | 30    | 762  | 2 ¾   | 70   | 6      | 3    |
| CTF36          | Cable tray, frame mount | 8      | 203  | 36    | 914  | 2 ¾   | 70   | 8      | 4    |
| CTF48          | Cable tray, frame mount | 8      | 203  | 48    | 1219 | 2 ¾   | 70   | 10     | 5    |
| CTF60          | Cable tray, frame mount | 8      | 203  | 60    | 1524 | 2 ¾   | 70   | 12     | 5    |
| CTF72          | Cable tray, frame mount | 8      | 203  | 72    | 1829 | 2 ¾   | 70   | 14     | 6    |

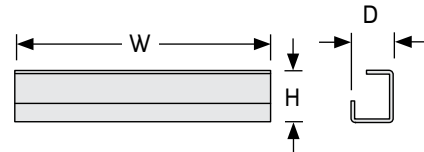
Rev 04/01/19



ULTRAFRAME



ERGOSTAT



**CABLE TRAYS, UNIVERSAL**

- Cable Trays provide horizontal storage for electrical cords and communication cabling below Ultra Surfaces and Laminate Corner Shelves.
- Trays fasten to the bottom of surfaces and can be positioned to the centerline of UltraFrames or mounted flush to the back of surfaces for applications with solid Panels, ErgoStat™ Riser Frames and Table Bases.
- Finish is Black Texture.

**NOTES**

- » Use with:
  - CTUABT 24" frames, 36" Table Bases and ErgoStats
  - CTUBBT 30" frames
  - CTUCBT 36" frames, 48" Table Bases and ErgoStats
  - CTUDBT 48" frames, 60" Table Bases and ErgoStats
  - CTUEBT 60" frames, 72" Table Bases and ErgoStats
- » Cable Trays can be used together with Surface Back Stops, sold separately; see page 4.30.
- » Cable Trays cannot be mounted flush to the back of Laminate Corner Shelves.

**How to Specify**

**Step 1. Product Number**

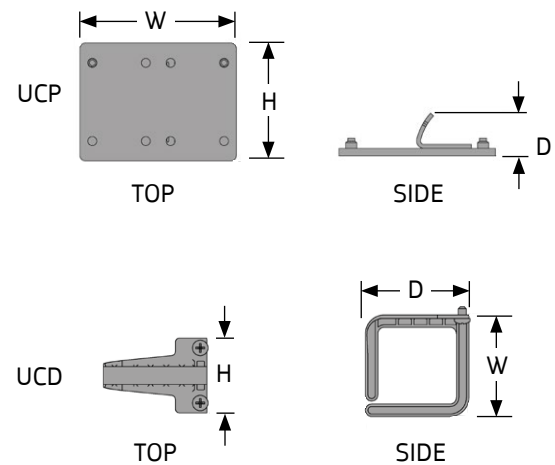
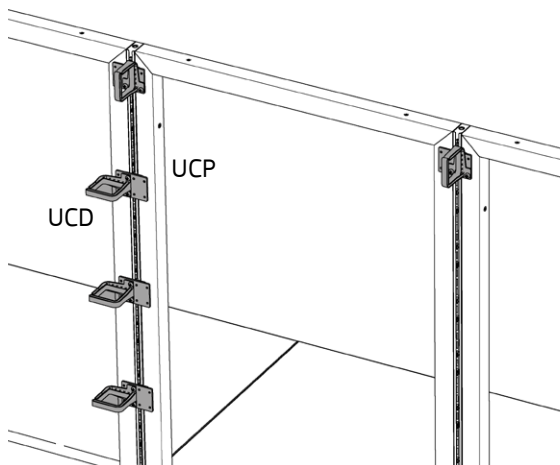
CTU

**Step 2. Width**

See notes for width options.

| Product Number | Description             | Height |      | Width |      | Depth |      | Weight |      |
|----------------|-------------------------|--------|------|-------|------|-------|------|--------|------|
|                |                         | in.    | [mm] | in.   | [mm] | in.   | [mm] | lb.    | [kg] |
| CTUABT         | Universal surface mount | 4 ¾    | 121  | 17 ½  | 445  | 3 ¾   | 95   | 4      | 2    |
| CTUBBT         | Universal surface mount | 4 ¾    | 121  | 23 ½  | 597  | 3 ¾   | 95   | 5      | 2    |
| CTUCBT         | Universal surface mount | 4 ¾    | 121  | 29 ½  | 749  | 3 ¾   | 95   | 6      | 3    |
| CTUDBT         | Universal surface mount | 4 ¾    | 121  | 41 ½  | 1054 | 3 ¾   | 95   | 8      | 4    |
| CTUEBT         | Universal surface mount | 4 ¾    | 121  | 53 ½  | 1359 | 3 ¾   | 95   | 10     | 5    |

Rev 09/09/09



## UNICLIPS AND D-RINGS

### Uniclips

- Uniclips provide for the mounting of D-rings and other components containing a 1 $\frac{3}{4}$ " spaced mounting hole pattern. This hole pattern lines up with EIA units of standard racks.
- Components with a single mounting hole such as conduit rings can also be mounted.
- Steel plates are tapped for  $\frac{1}{4}$ " -20 screws and the hole pattern allows for components to be mounted in a variety of locations. Integral clips hang in 1" increments on frames and can be spaced according to user requirements.
- Finish is Black.

### D-rings

- D-rings mount to Uniclips in several different locations providing vertical or horizontal cable management.
- Plastic rings can be mounted on the left or right sides of the Uniclips providing vertical cable management on both the left and right sides for double vertical runs of cables.
- Rings can be mounted on the top or bottom of the Uniclips providing frame-to-frame horizontal cable management on both the top and bottom for double horizontal runs of cables.
- Interior dimensions of the 1" D-ring are 1 $\frac{1}{4}$ " wide by 2 $\frac{1}{2}$ " deep and the 2" D-ring are 2 $\frac{1}{2}$ " wide by 2 $\frac{1}{2}$ " deep.
- Gap in ring shifts aside for easy access to cables.
- Finish is Black.

### NOTES

- » D-rings can also be mounted directly to the EIA units of Rack Modules.

## How to Specify

### Step 1. Product Number

|      |           |
|------|-----------|
| UCP  | Uniclip   |
| UCD1 | D-ring 1" |
| UCD2 | D-ring 2" |

### Step 2. Paint Color Code

|    |       |
|----|-------|
| BK | Black |
|----|-------|

| Product Number | Description           | Height          |      | Width           |      | Depth           |      | Weight        |      |
|----------------|-----------------------|-----------------|------|-----------------|------|-----------------|------|---------------|------|
|                |                       | in.             | [mm] | in.             | [mm] | in.             | [mm] | lb.           | [kg] |
| UCPBK          | Uniclip, 5 pack       | 2 $\frac{5}{8}$ | 67   | 3 $\frac{1}{2}$ | 89   | $\frac{1}{2}$   | 13   | 3             | 1    |
| UCD1BK         | 1-inch D-ring, 5 pack | 2 $\frac{3}{8}$ | 60   | 2               | 51   | 3 $\frac{1}{4}$ | 83   | $\frac{1}{4}$ | 0.1  |
| UCD2BK         | 2-inch D-ring, 5 pack | 2 $\frac{3}{8}$ | 60   | 3 $\frac{1}{4}$ | 83   | 3 $\frac{1}{4}$ | 83   | $\frac{1}{2}$ | 0.2  |

Rev 01/29/09