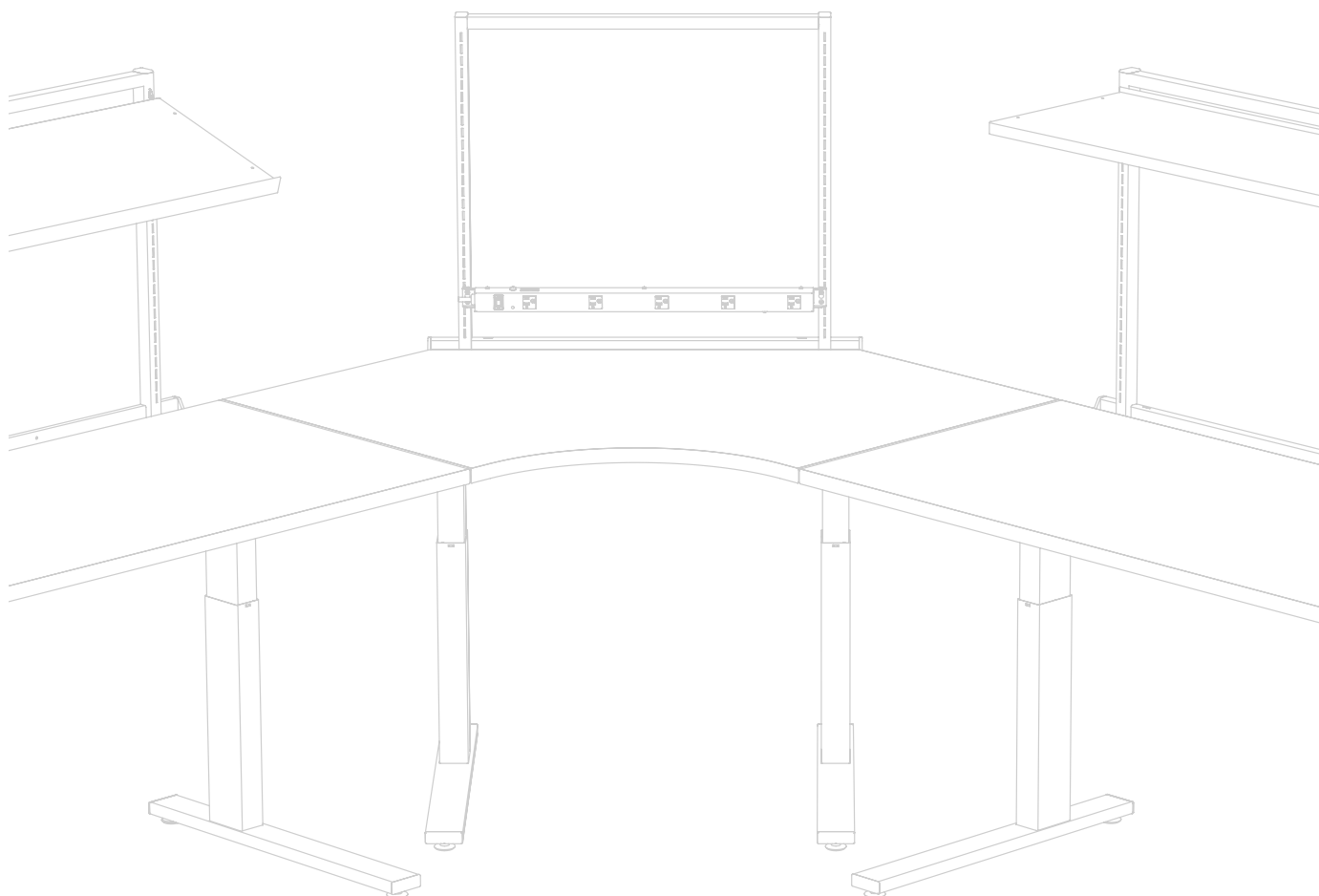


SECTION 3. WORKSURFACES

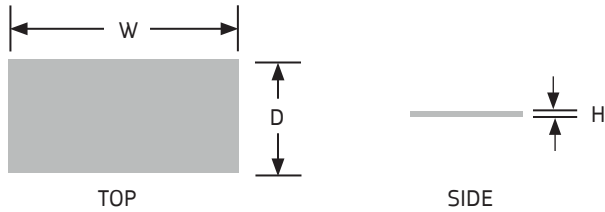
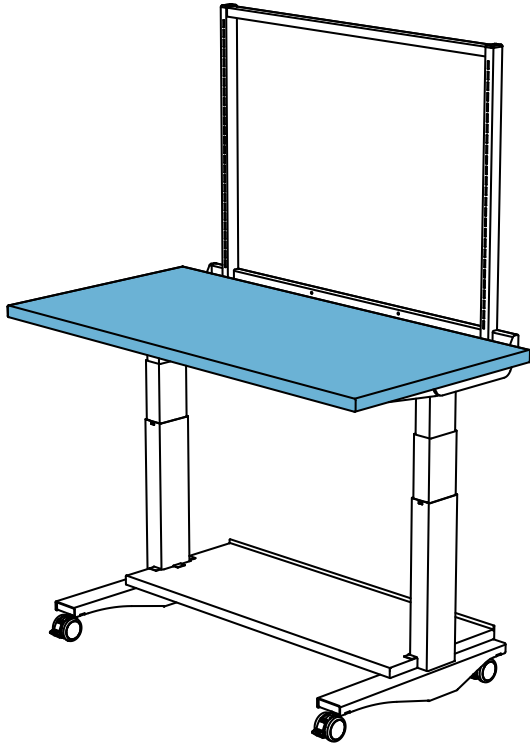
STANDARD WORKSURFACE	3.2
CORNER WORKSURFACE	3.3
HARDWOOD WORKSURFACE	3.4
AUXILIARY WORKSURFACE	3.5



STANDARD WORKSURFACE

The 1¼" high laminate worksurfaces mount to the ErgoStat Pro base. Surfaces have square corners with a 3mm edgeband.

- Load capacity is 300 lbs. evenly distributed.
- Riser Frames cannot be used with 36" deep worksurfaces.



How to Specify

Step 1. Product Number

PSLS

Step 2. Depth

24 24" deep **30** 30" deep **36** 36" deep

Step 3. Width

36 36" wide **48** 48" wide
60 60" wide **72** 72" wide

Step 4. Laminate color code

LAMINATE COLOR (select one)

Standard

BK Black
GL Grey Light
NW Neutral White

Premium (consult factory)

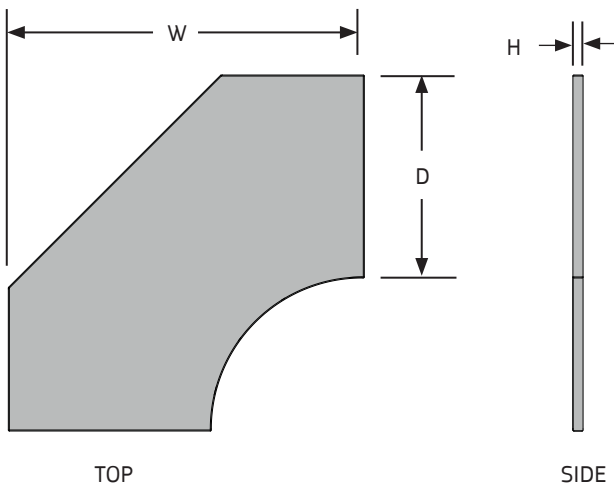
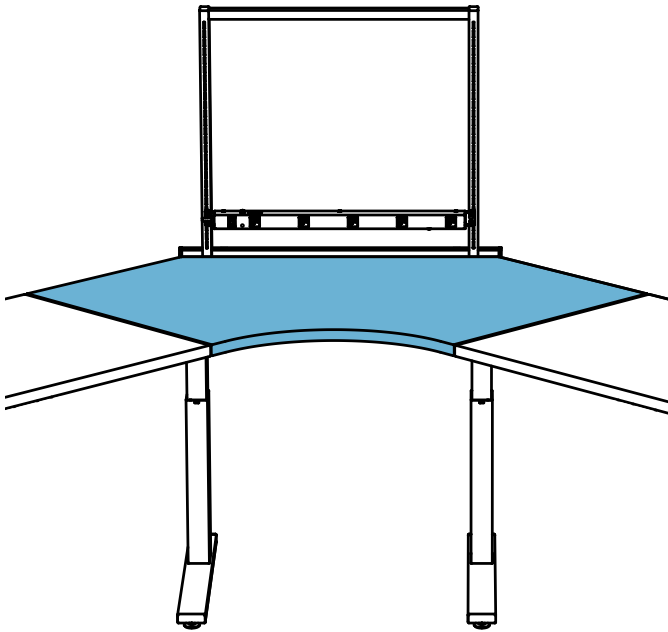
AH Ash Grey **LP** Neutral Oak Ply
AW Arctic White **MG** Mocha Grain
CG Chai Grain **PZ** Puzzle
DF Driftwood **SP** Silver Oak Ply
EG Espresso Grain **WW** Weathered Wood

Step 5. Edgeband color code

EDGEBAND COLOR (select one)

AW Arctic White **GL** Grey Light
AS Argent Silver **NW** Neutral White
BK Black **SH** Shadow
BR Brown

Product Number	Description	Height		Width		Depth		Weight	
		in.	[mm]	in.	[mm]	in.	[mm]	lb.	[kg]
PSLS2436		1 ¼	32	36	914	24	610	29	13.2
PSLS2448		1 ¼	32	48	1219	24	610	36	16.3
PSLS2460		1 ¼	32	60	1524	24	610	45	20.4
PSLS2472		1 ¼	32	72	1829	24	610	54	24.5
PSLS3036		1 ¼	32	36	914	30	762	36	16.3
PSLS3048		1 ¼	32	48	1219	30	762	45	20.4
PSLS3060		1 ¼	32	60	1524	30	762	56	25.4
PSLS3072		1 ¼	32	72	1829	30	762	67	30.4
PSLS3636		1 ¼	32	36	914	36	914	43	19.5
PSLS3648		1 ¼	32	48	1219	36	914	54	24.5
PSLS3660		1 ¼	32	60	1524	36	914	67	30.4
PSLS3672		1 ¼	32	72	1829	36	914	80	36.3



CORNER WORKSURFACE

The 1¼" high laminated corner worksurfaces mount to the ErgoStat Pro base. Surfaces have square corners with a 3mm edgeband.

- Load capacity is 200 lbs. evenly distributed.
- Riser Frames cannot be used with 36" deep worksurfaces.

How to Specify

Step 1. Product Number

PSCLS

Step 2. Depth

24 24" deep

30 30" deep

Step 3. Width

42 42" wide

48 48" wide

Step 4. Laminate color code

LAMINATE COLOR (select one)

Standard	Premium (consult factory)	
BK Black	AH Ash Grey	LP Neutral Oak Ply
GL Grey Light	AW Arctic White	MG Mocha Grain
NW Neutral White	CG Chai Grain	PZ Puzzle
	DF Driftwood	SP Silver Oak Ply
	EG Espresso Grain	WW Weathered Wood

Step 5. Edgeband color code

EDGE BAND COLOR (select one)

AW Arctic White	GL Grey Light
AS Argent Silver	NW Neutral White
BK Black	SH Shadow
BR Brown	

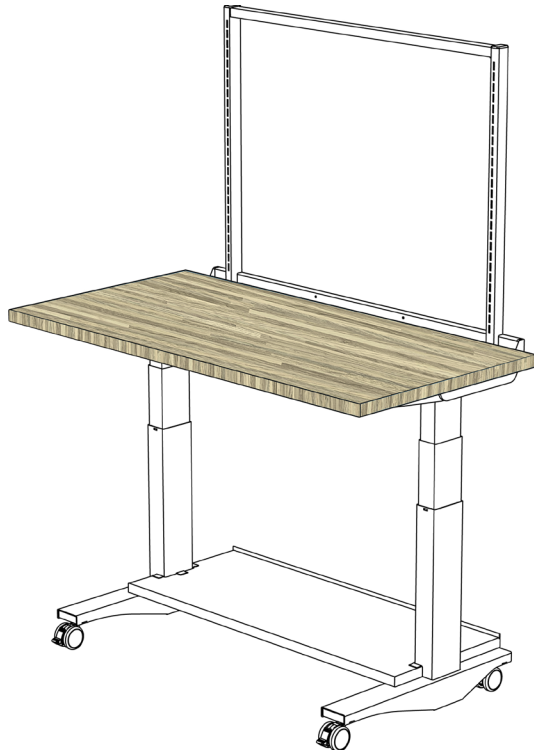
Product Number	Description	Height		Width		Depth		Weight	
		in.	[mm]	in.	[mm]	in.	[mm]	lb.	[kg]
PSCLS2442		1 ¼	32	42	1067	24	610	54	24.5
PSCLS2448		1 ¼	32	48	1219	24	610	45	20.4
PSCLS3042		1 ¼	32	42	1067	30	762	65	29.5
PSCLS3048		1 ¼	32	48	1219	30	762	53	24.0
PSCLS3648		1 ¼	32	48	1219	36	914	72	32.7

Rev 10.01.18

HARDWOOD WORKSURFACE

The 1 3/4" high hardwood worksurfaces mount to the ErgoStat Pro base. Surfaces consist of kiln-dried hardwood strips face glued, sanded smooth and finished with a two coat catalyzed varnish. Surfaces have a square-edged front, back and sides.

- Load capacity is 500 lbs. evenly distributed.
- Riser Frames cannot be used with 36" deep worksurfaces.



How to Specify

Step 1. Product Number

SHS

Step 2. Depth

30 30" deep

36 36" deep

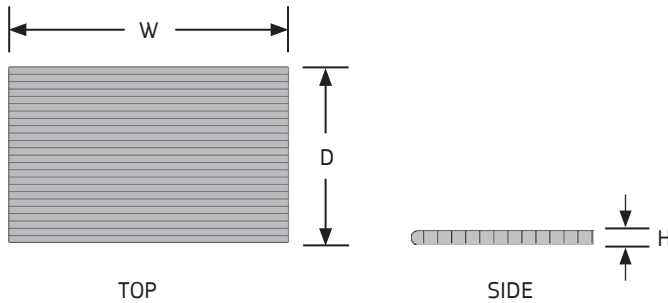
Step 3. Width

36 48" wide

48 48" wide

60 60" wide

72 72" wide



Product Number	Height		Width		Depth		Weight	
	in.	[mm]	in.	[mm]	in.	[mm]	lb.	[kg]
SHS3036CC	1 1/4	32	36	914	30	762	53	24.0
SHS3048CC	1 1/4	32	48	1219	30	762	70	31.8
SHS3060CC	1 1/4	32	60	1524	30	762	88	39.9
SHS3072CC	1 1/4	32	72	1829	30	762	105	47.6
SHS3636CC	1 1/4	32	36	914	36	914	63	28.6
SHS3648CC	1 1/4	32	48	1219	36	914	84	38.1
SHS3660CC	1 1/4	32	60	1524	36	914	105	47.6
SHS3672CC	1 1/4	32	72	1829	36	914	126	57.2

Rev 12.28.16

AUXILIARY WORKSURFACE

Steel platform and housing mounts under surfaces to provide an additional work space. Features 18" full-extension ball-bearing slides with in and out detent.

- Load capacity is 35 pounds evenly distributed.
- Auxiliary Worksurface only mounts under standard and corner worksurfaces > 24" deep.

How to Specify

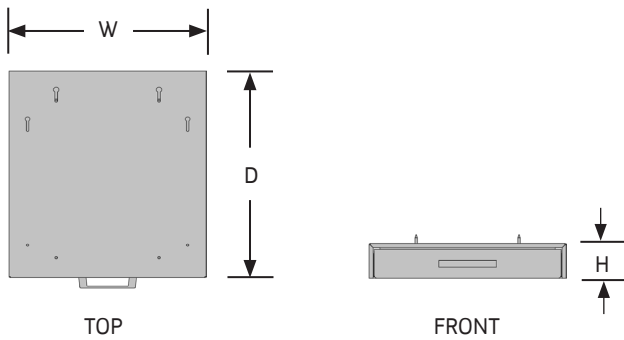
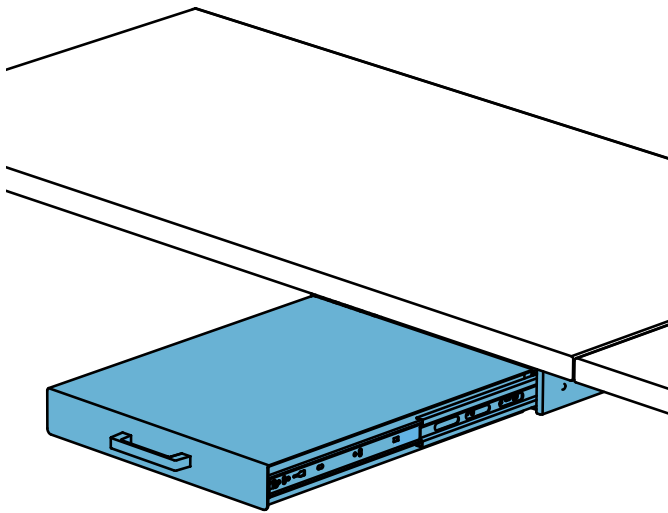
Step 1. Product Number

AWS1518

Step 2. Paint color code

PAINT COLOR (select one)

- AS Argent Silver
- AW Arctic White
- BK Black
- GL Grey Light
- NW Neutral White



Product Number	Height		Width		Depth		Weight	
	in.	[mm]	in.	[mm]	in.	[mm]	lb.	[kg]
AWS1518	2 5/8	67	15	381	18	457	16	7.0

Rev 12.21.16

BLANK