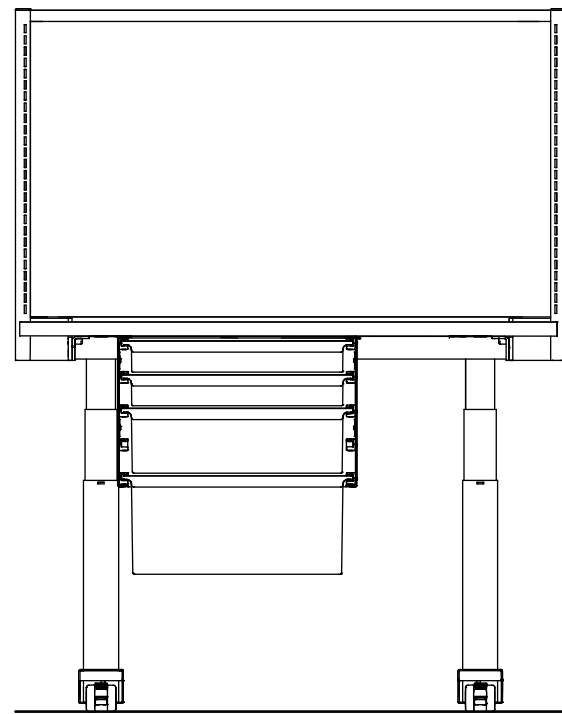
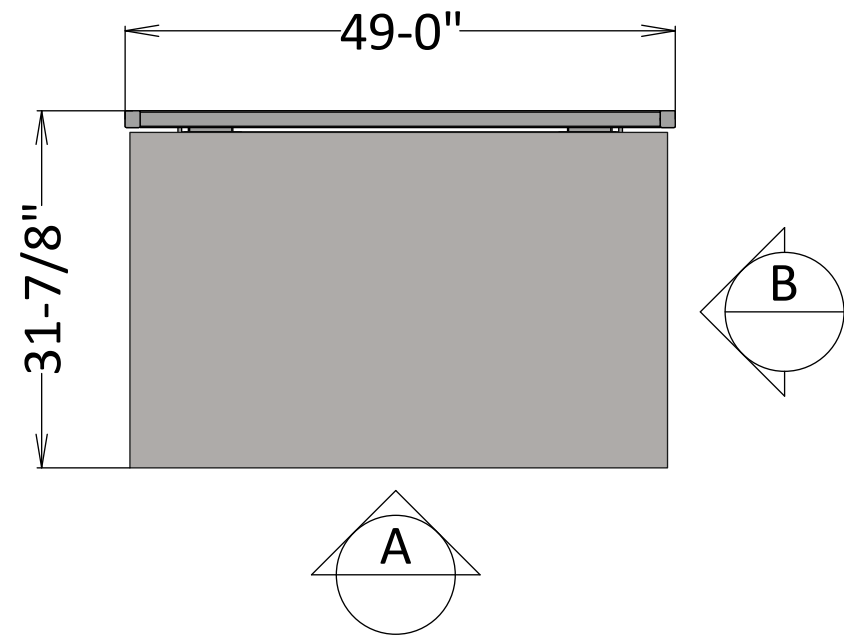
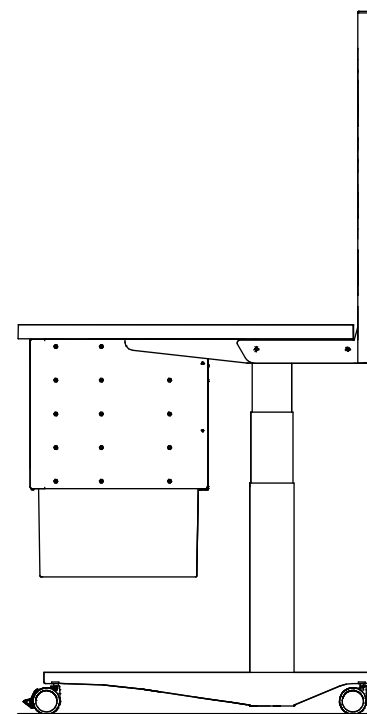


30"D x 48"W - Electric - Casters



Elevation A



Elevation B

