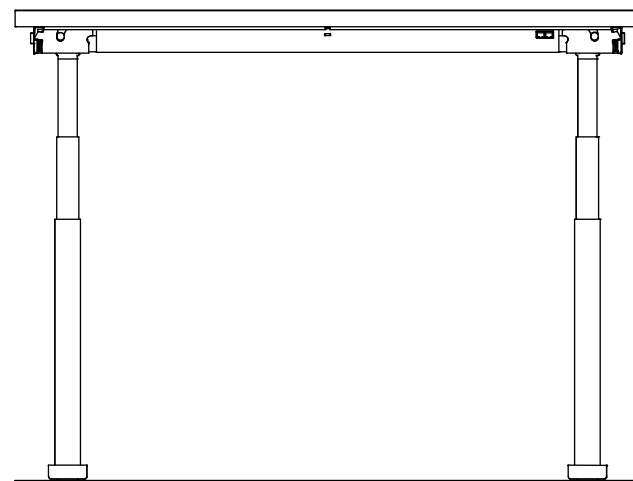
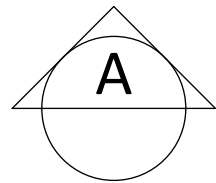
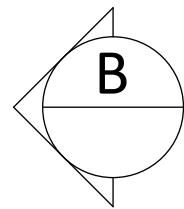
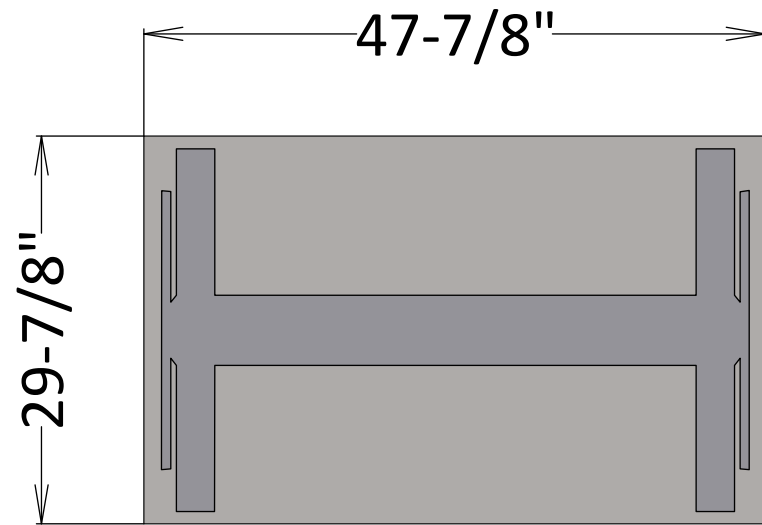
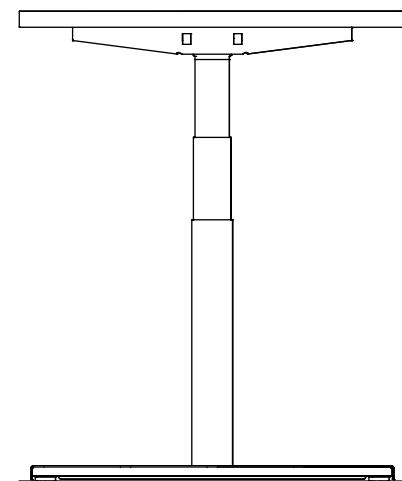


REV #	DATE	DRAWN BY
1	1/21/2021	LJ

30"D x 48"W - Electric - Glides



Elevation A



Elevation B

